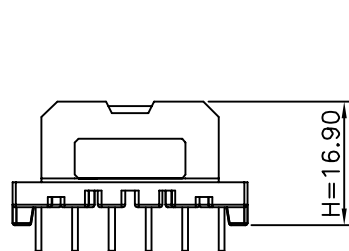
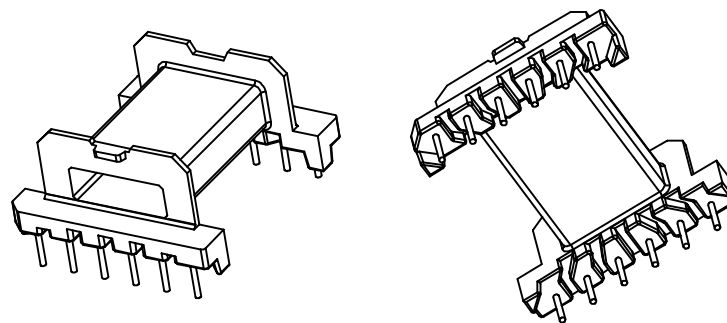
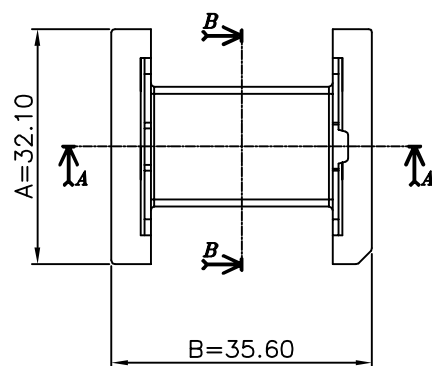
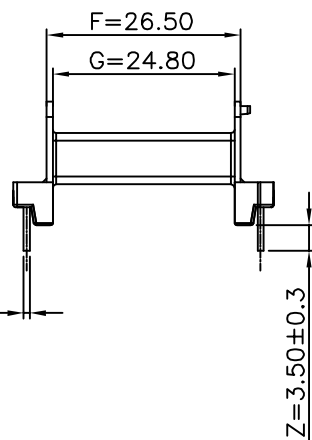


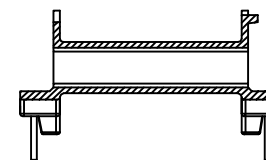
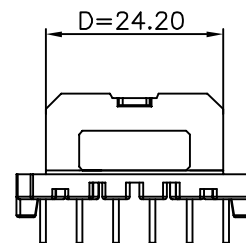
SECTION B-B



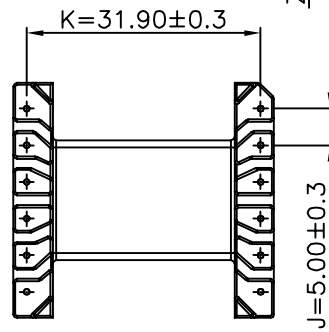
$l = \phi 0.80 \pm 0.03$



$Z = 3.50 \pm 0.3$



SECTION A-A



$J = 5.00 \pm 0.3$

▲							
▲							
▲							
▲							
MARK	REVISION NOTE			DATE	DRAWN	CHECKED	APPROVED
DRAWN	CHECKED	APPROVED	MATERIAL : PHENOL	UL REC. : UL94V-0	THIRD ANGLE PROJ.	SCALE : 1/1	
KW, Jeon	SH, Kim	C, Park	Z : PIN LENGTH (According to customer's request)	DATE : 2014.05.20	TOLERANCE : ±0.2 (Unless otherwise specified)	UNIT : m/m	
주식회사 대흥보빈 DAE HEUNG BOBBIN CO., LTD			TITLE EFD 33*34 "H" (12P)		DWG NO DH-140829-7042-02		